

TECHNICAL SPECIFICATIONS

Specifications	SteraSpace 20 - PSA10	SteraSpace 20 - PSA 20
Air sanitising technology	Nano-titanium dioxide photocatalytic oxidation +	Nano-titanium dioxide photocatalytic oxidation +
UV-C lamp tube	15W PLL composite tube	18W PLL composite tube
UV-C intensity inside chamber	12,000 uw /sq.cm	15,000 uw /sq.cm
UV-C lamp tube life	> 8,000 hr	> 8,000 hr
Air residence time inside chamber	> 0.5 second	> 0.5 second
Number of photo-catalyst plates	4 pcs	7 pcs
Dimensions	285(L) x 185(W) x 95(H)mm	345(L) x 185(W) x 95(H)mm
Unit weight	1.3 kgs	1.6 kgs
Voltage	220-230V	220-230V
Frequency	50/60Hz	50/60Hz
Power consumption	15W	18W
Suggest covering area	Up to 15 sqm	Up to 25 sqm
Installation	Wall mount 1.8 metres from ground level	Wall mount 1.8 metres from ground level
Housing material	All aluminum alloy extrusion structure	All aluminum alloy extrusion structure
Detachable power cord	1.8 m	1.8 m
Housing colour	Titanium colour	Titanium colour
Top / bottom lid colour	Pale brown polycarbonate	Pale brown polycarbonate

LAMP REPLACEMENT

After approximately one year or over 8,000 hrs of continuous burning, the UV-C lamp will lose 20 to 30% of its UV power and need to be replaced.

Please disconnect the power before opening the bottom cover for lamp replacement.

LEAF0431 ISS 02

If you are unsure about any instructions or have a problem not listed above contact manufacturer:

Airdri Limited,
Technology House, Oakfield Estate,
Eynsham, Oxford OX29 4AQ, UK.
Tel: +44 (0)1865 882330
sales@airdri.com
www.airdri.com



AIRDRI STERASPACE 20 PSA10/20 INSTRUCTION MANUAL

The most advanced virus and bacteria control technology of its kind



Please read prior to installing
your new unit
SAVE THESE INSTRUCTIONS



DO NOT LOOK DIRECTLY AT THE LAMP WHEN IN OPERATION
UV Radiation is very harmful to eyes and skin.
Strictly observe the instructions.

LEAF0431 ISS 02

Airdri Limited,
Technology House, Oakfield Estate,
Eynsham, Oxford OX29 4AQ, UK.
Tel: +44 (0)1865 882330
www.airdri.com



SAFETY INFORMATION

Please read these instructions carefully before operating this unit. This will enable you to obtain optimum performance and a longer service life from your Air Sanitiser unit.

WARNINGS

1. Make sure the power source is disconnected before beginning work.
2. Do not look directly at the UV light. Exposure to UV light could burn the skin and can cause eye damage.
3. Do not touch the glass portion of the lamp or PCO Catalytic plates with bare hands as oil from skin can damage these parts.
4. Use only original Airdri UV lamps.

ELECTRICAL INFORMATION


Before choosing installation location

1. Avoid exposure to water, combustible gases or sources of heat.
2. Only connect the unit to a standard socket with mains voltage as specified on the rating label.
3. Ensure airflow inlet and outlet are always clear.
4. Turn off unit if any foreign objects impede airflow or if there is any damage to unit or cable.

CLEANING

1. There is little cleaning required. A vacuum cleaner can be used to clear away any dust / debris from the inlet and outlet openings.
2. Never touch the photo-catalytic plates as the plates are self cleaning.

 **DO NOT LOOK DIRECTLY AT THE LAMP WHEN IN OPERATION**
UV Radiation is very harmful to eyes and skin. Strictly observe the instructions.

 **NOTE:** Do not touch the glass portion of the UV lamp or surrounding catalyst plates with bare hands. Use clean gloves to avoid skin oils that will harm the UV lamp. If the lamp is touched in error clean with an alcohol based cleaner.

FITTING INSTRUCTIONS

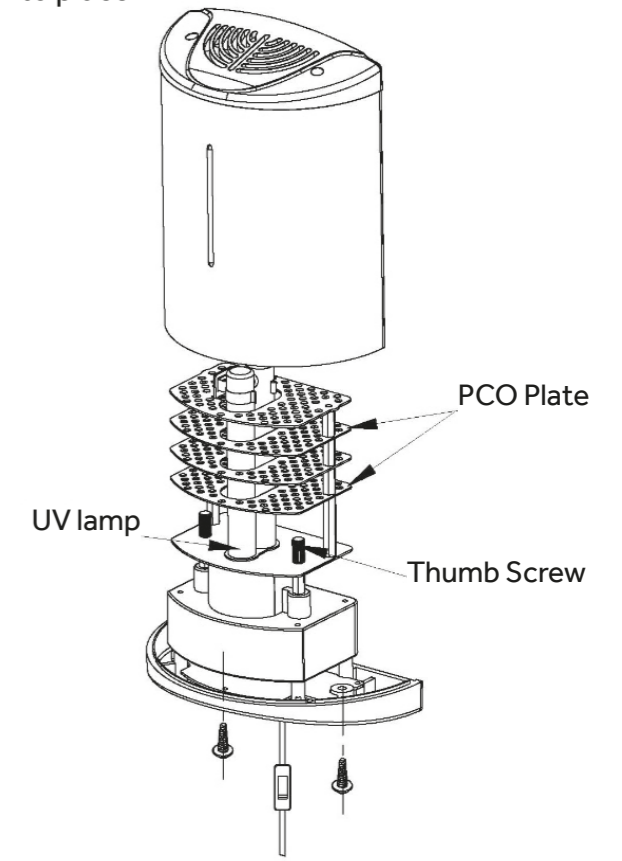
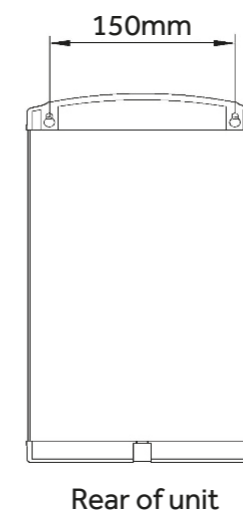
1. This unit is designed to be mounted vertically for efficient natural thermal convection.
2. The ideal location is to wall mount 1.8 metres from ground level.
3. Keep unit operational 24 hours a day, 7 days a week.
4. For optimum results keep the unit located in the same position.
5. Mounting bracket and screws are provided, ensure correct fixings are used.

LAMP INSTALLATION

To avoid potential transit damage the lamp for this model is packaged separately and requires installation before use.

Instructions:

1. Unplug the unit.
2. Locate the bottom of the unit and unscrew the retaining screws at each side. Gently remove the cartridge containing the lamp holder and the PCO catalyst plates. Remember not to touch the lamp or plates with bare hands.
3. Remove the finger screws to release the PCO plates. This will expose the lamp holder so the lamp can be inserted. Align correctly and push firmly into place. Locate the baffle plate on to the hexagonal guides. Re-insert and tighten the finger screws.
4. Fit the cover, tighten the retaining screws and attach the unit back in its placement. Turn on the power. The lamp's blue light will be visible through the body indicator.



LEAF0431 ISS 02

LEAF0431 ISS 02



If you are unsure about any instructions or have a problem not listed above contact manufacturer:

Airdri Limited,
Technology House, Oakfield Estate,
Eynsham, Oxford OX29 4AQ, UK.
Tel: +44 (0)1865 882330
sales@airdri.com
www.airdri.com

