

TECHNICAL SPECIFICATIONS

Air sanitising technology	Nano-titanium dioxide photocatalytic oxidation + Ultraviolet light UV-C			
UV-C lamp tube	18W PLL composite tube			
UV-C intensity inside chamber	15,000 uw /sq.cm			
UV-C lamp tube life	> 8,000 hr			
Air residence time inside chamber	> 0.5 second			
Number of photo-catalyst plates	3 pcs			
Dimensions	430(L) x 130(W) x 100(H)mm			
Unit weight	2.4 kgs			
Noise level @1m	<39dB			
Voltage	220-230V			
Frequency	50/60Hz			
Air flow rate	20 cu.m/hr			
Power consumption	33W			
Suggest covering area	Average 20-80 sqm			
Installation	Wall/ceiling mount 1.8 metres from ground level (can also be free standing)			
Housing material	All aluminum alloy extrusion structure			
Detachable power cord	1.8 m			
Cover housing colour	Titanium colour			
Front/ rear unit colour	Black			
UV lamp (photoplasma)	9.5mg 20	38mg 40	50mg 60	70mg 80

LAMP REPLACEMENT

After approximately one year or over 8,000 hrs of continuous burning, the UV-C lamp will lose 20 to 30% of its UV power and need to be replaced for intended performance.

Please disconnect the power before opening the cover (D as shown) for lamp replacement. Avoid touching photo-catalytic base plates.

LEAF0430 ISS 02

If you are unsure about any instructions or have a problem not listed above contact manufacturer:

Airdri Limited,
Technology House, Oakfield Estate,
Eynsham, Oxford OX29 4AQ, UK.
Tel: +44 (0)1865 882330
sales@airdri.com
www.airdri.com



AIRDRI STERASPACE 80 PMA20/40/60/80 INSTRUCTION MANUAL

The most advanced virus and bacteria control technology of its kind



**Please read prior to installing
your new unit
SAVE THESE INSTRUCTIONS**



**DO NOT LOOK DIRECTLY AT THE LAMP
WHEN IN OPERATION**
UV Radiation is very harmful to eyes and skin.
Strictly observe the instructions.

LEAF0430 ISS 02

Airdri Limited,
Technology House, Oakfield Estate,
Eynsham, Oxford OX29 4AQ, UK.
Tel: +44 (0)1865 882330
www.airdri.com



SAFETY INFORMATION

Please read these instructions carefully before operating this unit. This will enable you to obtain optimum performance and a longer service life from your Air Sanitiser unit.

WARNINGS

1. Make sure the power source is disconnected before beginning work.
2. Do not look directly at the UV light. Exposure to UV light could burn the skin and can cause eye damage.
3. Do not touch the glass portion of the lamp or PCO Catalytic plates with bare hands as oil from skin can damage these parts.
4. Use only original Airdri UV lamps.
5. Avoid any contact with water or liquid.


ELECTRICAL INFORMATION

1. Avoid exposure to water, combustible gases or sources of heat.
2. Only connect the unit to a grounded standard socket or spur with mains voltage as specified on the rating label.
3. Ensure airflow inlet and outlet are always clear.
4. Turn off unit if any foreign objects impede airflow, if there is any damage to the unit/cable or if the unit is making excessive noise.
5. Be aware there may be an initial odour caused by electrical components. This will clear after the first 48 hours.


CLEANING

There is little cleaning required. A vacuum cleaner or soft brush can be used to clear away any dust / debris from the inlet and outlet openings. Never touch the PCO catalytic plates as these are self cleaning.

Use a dry cloth/alcohol to clean any dirt off the lamp surface (G).

 **DO NOT LOOK DIRECTLY AT THE LAMP WHEN IN OPERATION**
UV Radiation is very harmful to eyes and skin. Strictly observe the instructions.

LEAF0430 ISS 02

 **NOTE:** Do not touch the glass portion of the UV lamp or surrounding catalyst plates with bare hands. Use clean gloves to avoid skin oils that will harm the UV lamp. If the lamp is touched in error clean with an alcohol based cleaner.

FITTING INSTRUCTIONS

1. This unit is designed to be wall or ceiling mounted but can also be placed on a flat stable surface.
2. For stability during transit the rubber feet for use on a flat stable surface are installed. For wall or ceiling mounting the rubber feet are unscrewed and the supplied mounting brackets replace these. The mounting brackets can be adjusted along the base plate for secure fixings. Please use correct fixings for wall or ceiling mounting.
3. The ideal location is approximately 2 metres from ground level.
4. Keep unit operational 24 hours a day, 7 days a week.
5. For optimum results keep the unit located in the same position.
6. The unit is ready for use when the power cable is connected to the socket A (as shown) and the switch B (as shown) is turned on.

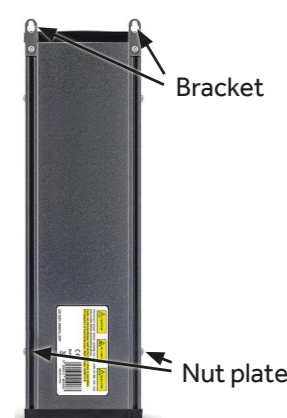
MOUNTING OPTIONS

Four adjustable nut plates are installed into the grooves on the unit rear. Brackets are fixed to these nut plates with screws provided. Wall mounting horizontally or vertically requires two brackets. Ceiling mounting requires four brackets for secure installation.
Air flows out the opposite end to the power cable connection

Horizontal wall mounting



Vertical wall mounting

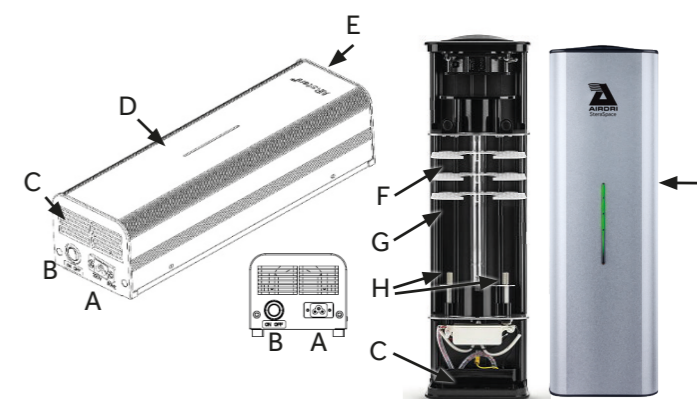


Ceiling mounting



Unit components

- A. Power cable socket
- B. On/Off switch
- C. Air inlet vent
- D. Cover
- E. Air outlet vent
- F. Catalyst plates
- G. UV lamp tube
- H. Lamp holding plate finger screw



LEAF0430 ISS 02



If you are unsure about any instructions or have a problem not listed above contact manufacturer:

Airdri Limited,
Technology House, Oakfield Estate,
Eynsham, Oxford OX29 4AQ, UK.
Tel: +44 (0)1865 882330
sales@airdri.com
www.airdri.com

